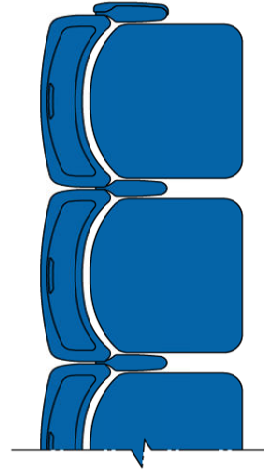
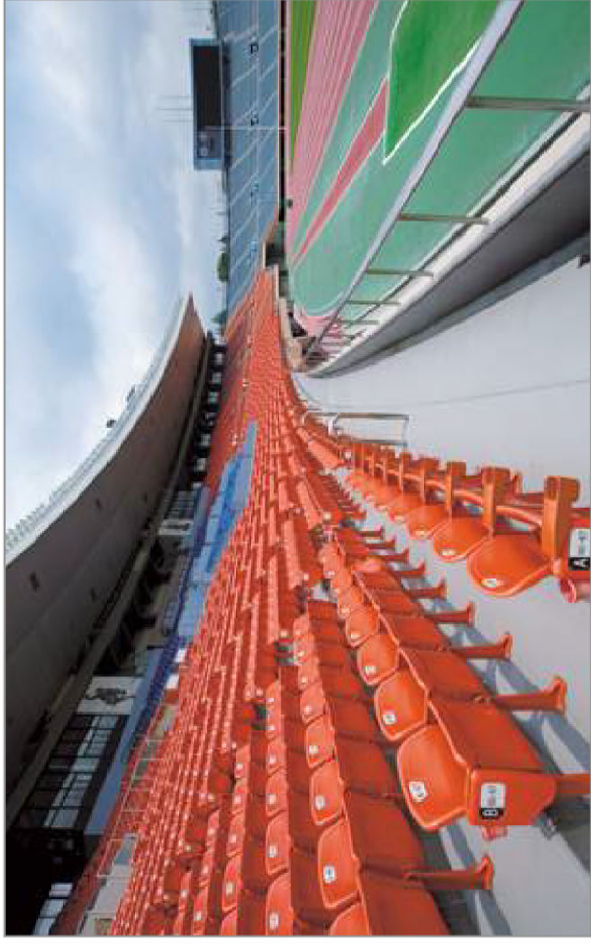




Shell (Blow Molded)\_Front

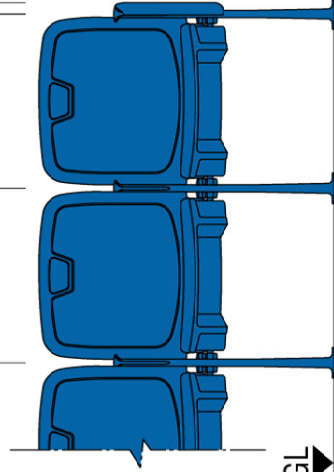


Shell (Blow Molded)\_Back



W

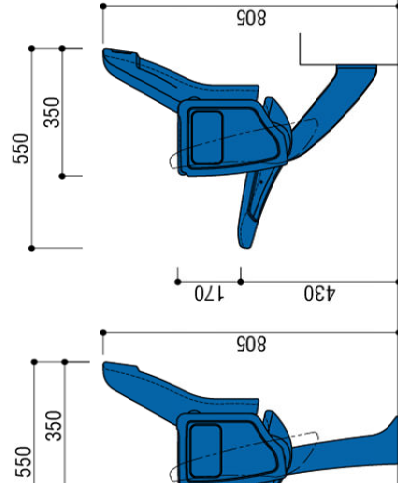
31



W

31

GL



550

350

430

170

805

805

BLMA-7100 Series (2 Pieces Type), S=1/20

※Please note that specifications may change without prior notice!

### Specification

#### Sports Seating (2 Pieces Type) BLMA-7100 Series

Seat Shell	Blow-Molded high-density polyethylene
Leg	Select color (KB)
Leg (Please refer as below)	Die-casted aluminum alloy
	With powder coating finish
	(Fixed to floor)

※Seat Width W450~W525

#### Shell Colors (KB)



KB-6(Blue)



KB-7(Green)



KB-2(Red)



KB-4(Orange)



KB-5(Dark Brown)



KB-11(Grey Beige)



KB-12(Grey Brown)

#### Leg Variations



Leg\_Type 0071

Die-casted aluminum alloy  
with powder coating finish



Leg\_Type 0072

Die-casted aluminum alloy  
with powder coating finish

# BLMA-7100 Series



KB-6(Blue)



Leg\_0072



Leg\_0071



KB-7(Green)



KB-2(Red)



KB-4(Orange)



KB-5(Dark Brown)



KB-11(Grey Beige)



KB-12(Grey Brown)

